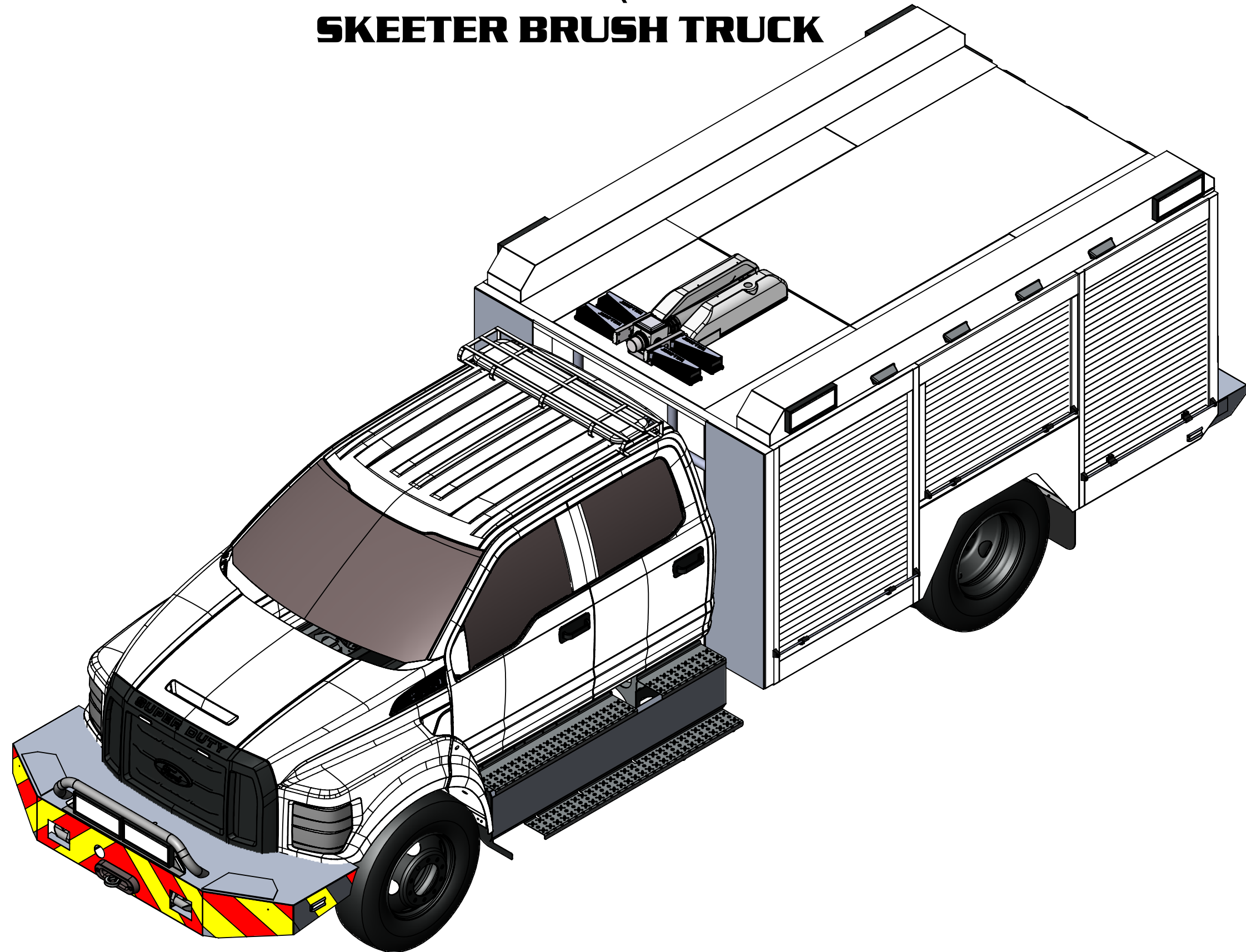


SKEETER FORD CORPORATE'S RESCUE SQUAD SKEETER BRUSH TRUCK



PROPERTY OF
SKEETER BRUSH TRUCKS

NOTE: DETAILS AND DIMENSIONS SHOWN ARE APPROXIMATE
AND ARE SUBJECT TO MINOR DEVIATIONS AS MAY
OCCUR OR BE NECESSARY IN CONSTRUCTION
MINOR DETAILS NOT SHOWN

PREPARED FOR:

Skeeter Ford Corporate

DRAWN BY: MARK E.

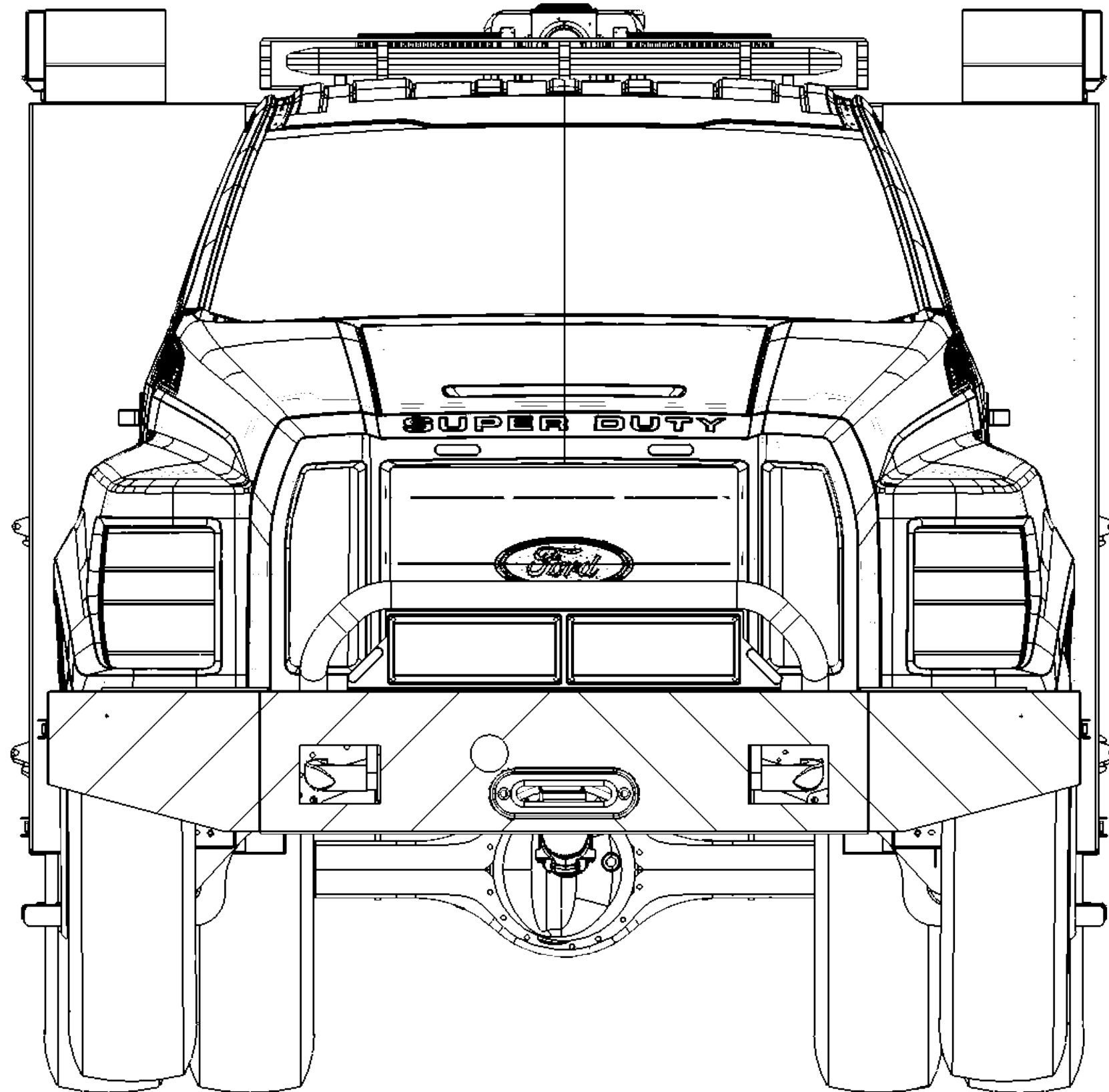
PRINT DATE: 2/13/2019

TITLE:

OVERVIEW

JOB NO. 14416

SHEET 1 OF 12



PROPERTY OF
SKEETER BRUSH TRUCKS

NOTE: DETAILS AND DIMENSIONS SHOWN ARE APPROXIMATE
AND ARE SUBJECT TO MINOR DEVIATIONS AS MAY
OCCUR OR BE NECESSARY IN CONSTRUCTION
MINOR DETAILS NOT SHOWN

PREPARED FOR:

Skeeter Ford Corporate

DRAWN BY: MARK E.

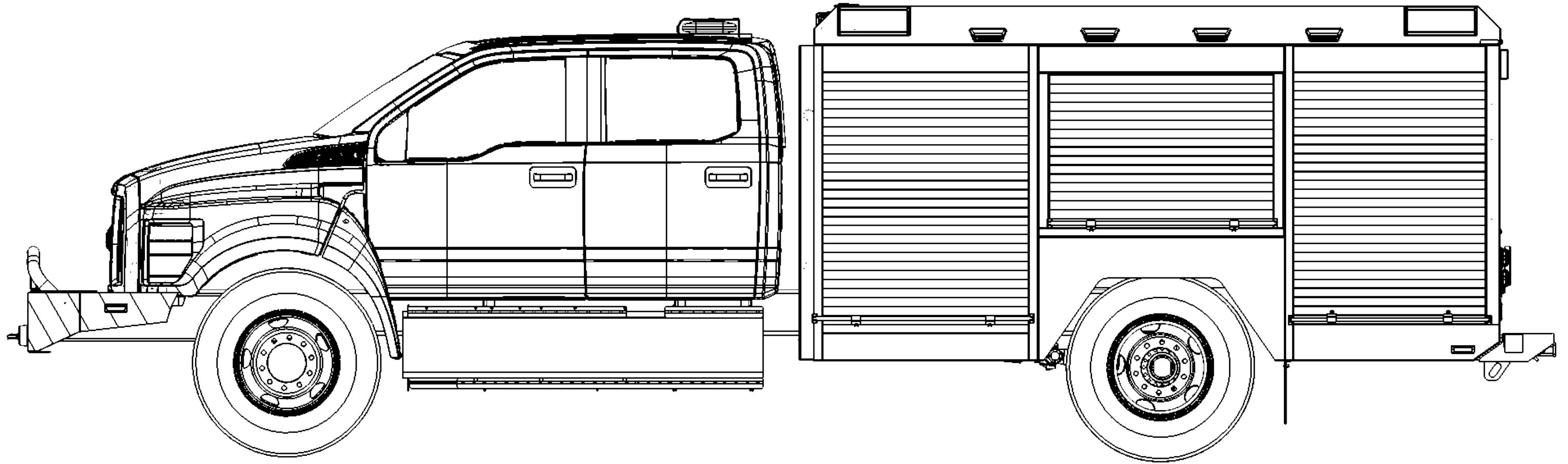
PRINT DATE: 2/13/2019

TITLE:

FRONT VIEW

JOB NO. 14416

SHEET 2 OF 12



PROPERTY OF
SKEETER BRUSH TRUCKS

NOTE: DETAILS AND DIMENSIONS SHOWN ARE APPROXIMATE
AND ARE SUBJECT TO MINOR DEVIATIONS AS MAY
OCCUR OR BE NECESSARY IN CONSTRUCTION
MINOR DETAILS NOT SHOWN

PREPARED FOR:

Skeeter Ford Corporate

DRAWN BY: MARK E.

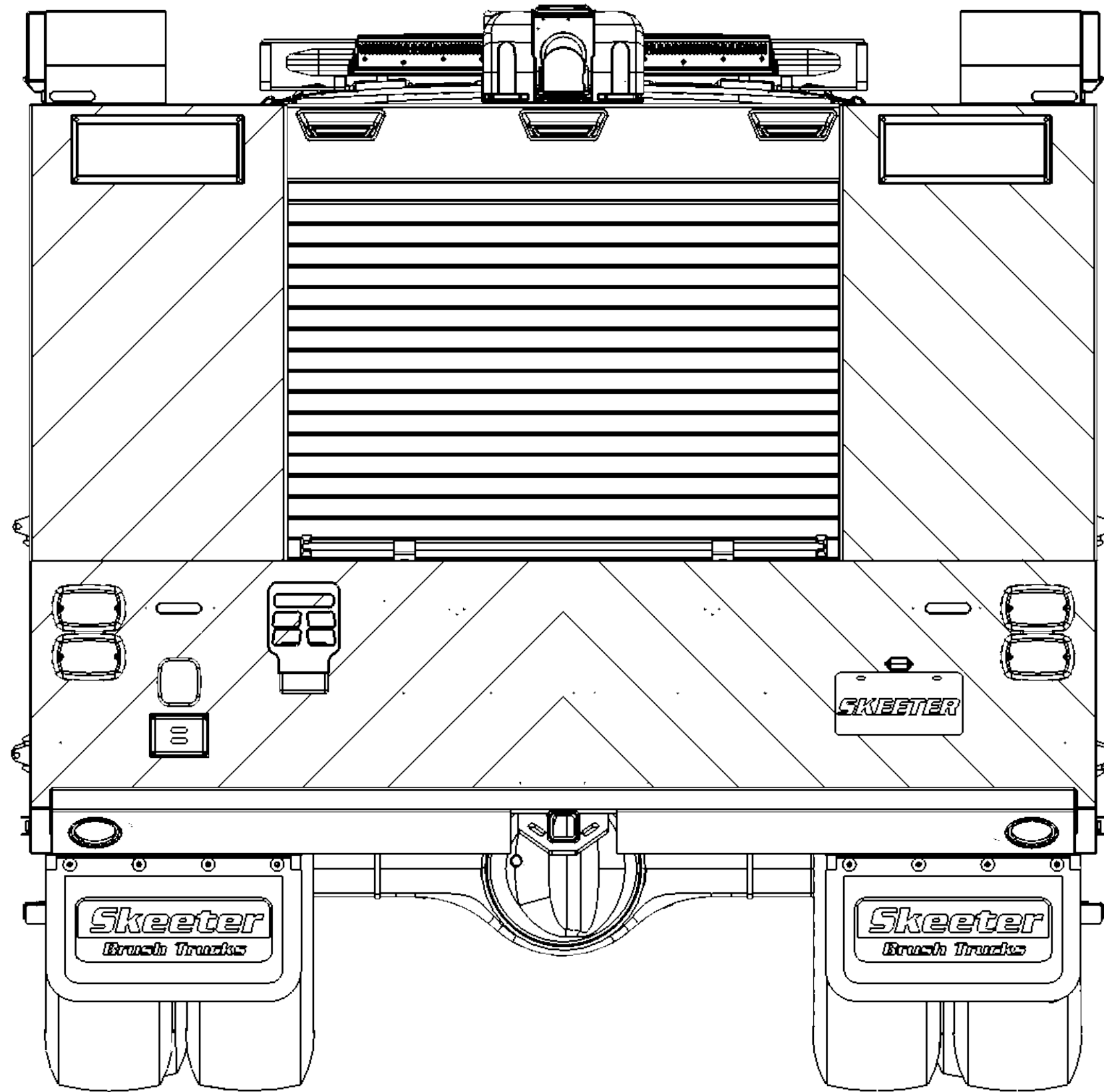
PRINT DATE: 2/13/2019

TITLE:

DRIVERS SIDE VIEW

JOB NO. 14416

SHEET 3 OF 12



PROPERTY OF
SKEETER BRUSH TRUCKS

NOTE: DETAILS AND DIMENSIONS SHOWN ARE APPROXIMATE
AND ARE SUBJECT TO MINOR DEVIATIONS AS MAY
OCCUR OR BE NECESSARY IN CONSTRUCTION
MINOR DETAILS NOT SHOWN

PREPARED FOR:

Skeeter Ford Corporate

DRAWN BY: MARK E.

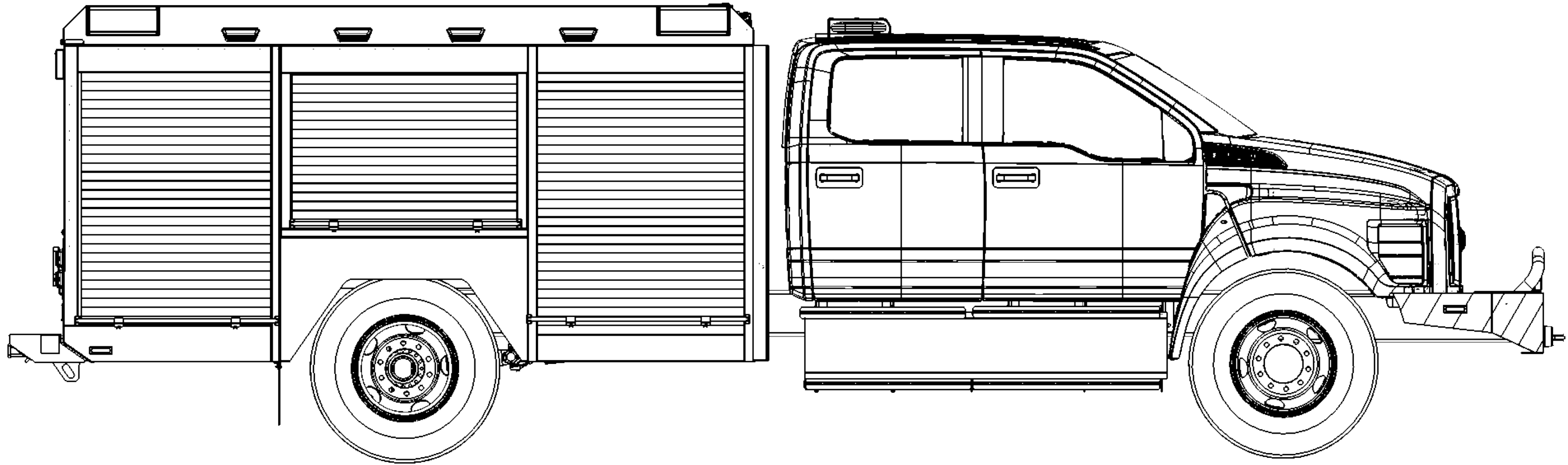
PRINT DATE: 2/13/2019

TITLE:

REAR VIEW

JOB NO. 14416

SHEET 4 OF 12



PROPERTY OF
SKEETER BRUSH TRUCKS

NOTE: DETAILS AND DIMENSIONS SHOWN ARE APPROXIMATE
AND ARE SUBJECT TO MINOR DEVIATIONS AS MAY
OCCUR OR BE NECESSARY IN CONSTRUCTION
MINOR DETAILS NOT SHOWN

PREPARED FOR:

Skeeter Ford Corporate

DRAWN BY: MARK E.

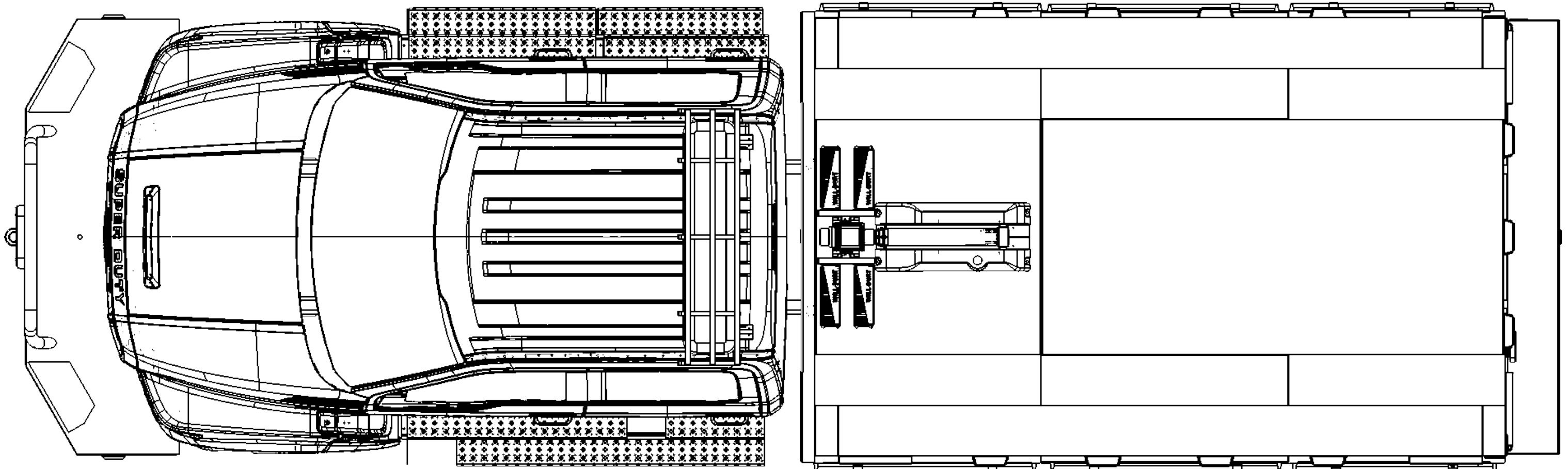
PRINT DATE: 2/13/2019

TITLE:

PASSENGERS SIDE VIEW

JOB NO. 14416

SHEET 5 OF 12



PROPERTY OF
SKEETER BRUSH TRUCKS

NOTE: DETAILS AND DIMENSIONS SHOWN ARE APPROXIMATE
 AND ARE SUBJECT TO MINOR DEVIATIONS AS MAY
 OCCUR OR BE NECESSARY IN CONSTRUCTION
 MINOR DETAILS NOT SHOWN

PREPARED FOR:

Skeeter Ford Corporate

DRAWN BY: MARK E.

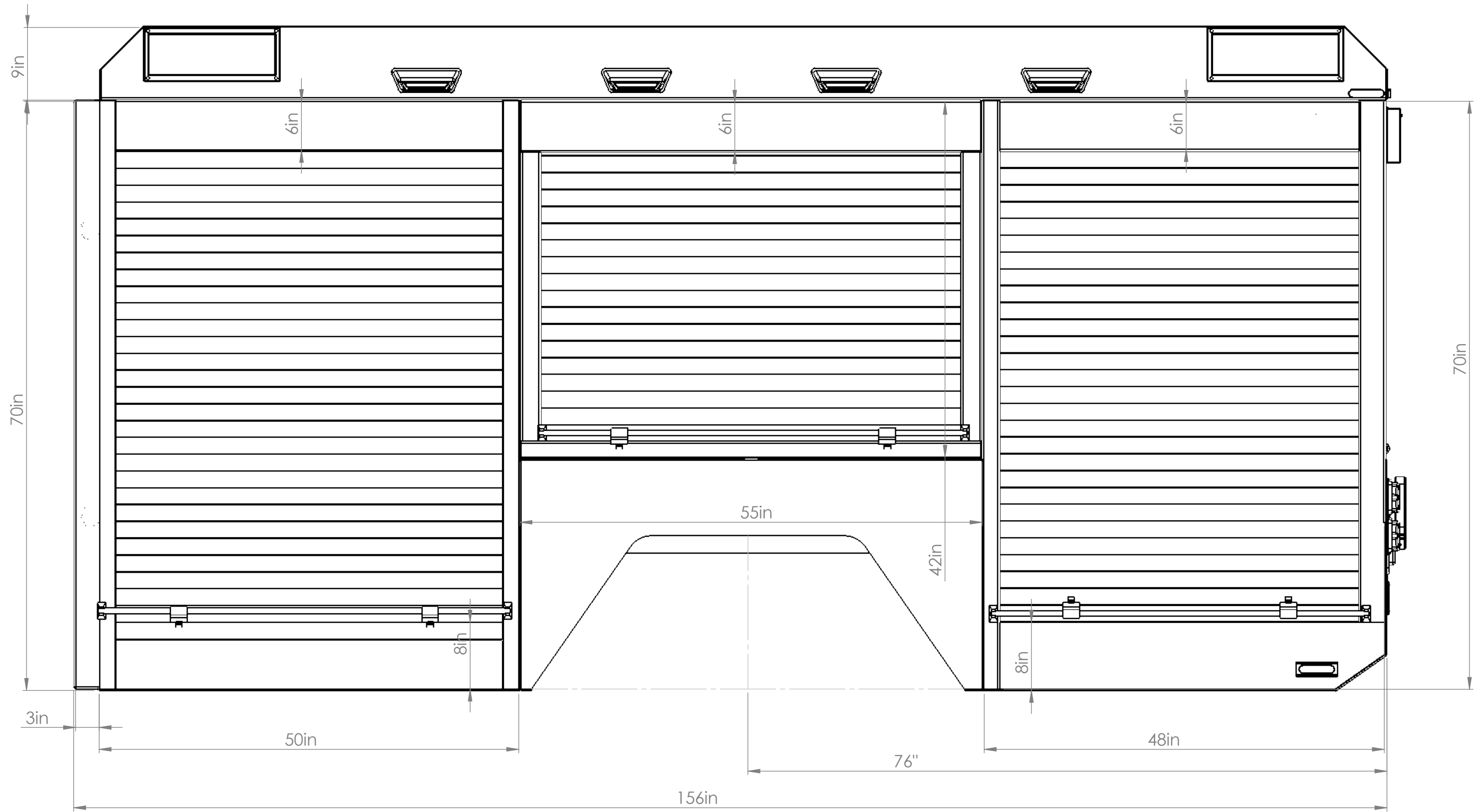
PRINT DATE: 2/13/2019

TITLE:

TOP VIEW

JOB NO. 14416

SHEET 6 OF 12



PROPERTY OF
SKEETER BRUSH TRUCKS

NOTE: DETAILS AND DIMENSIONS SHOWN ARE APPROXIMATE
 AND ARE SUBJECT TO MINOR DEVIATIONS AS MAY
 OCCUR OR BE NECESSARY IN CONSTRUCTION
 MINOR DETAILS NOT SHOWN

PREPARED FOR:

Skeeter Ford Corporate

DRAWN BY: MARK E.

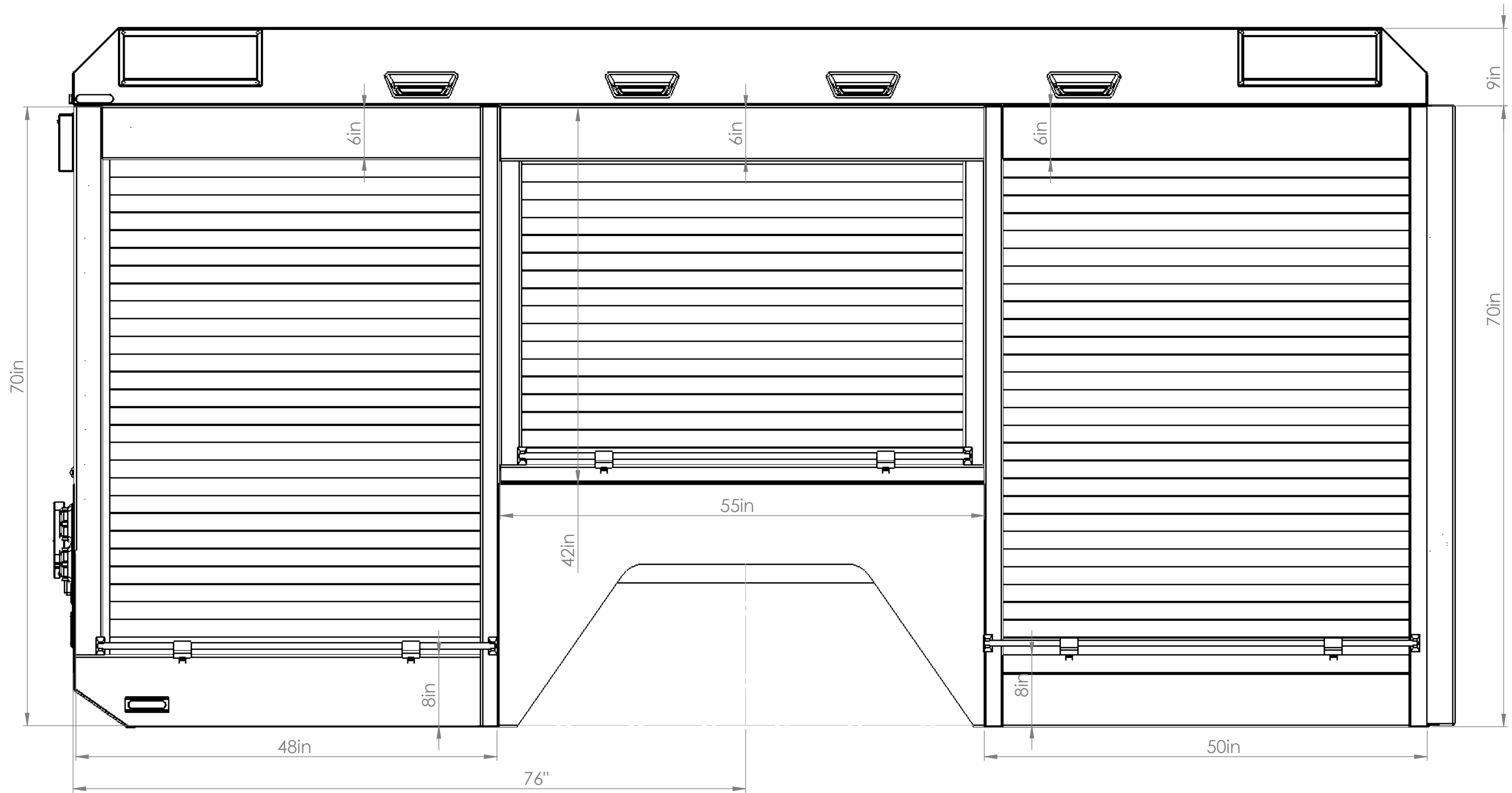
PRINT DATE: 2/13/2019

TITLE:

BED DRIVERS SIDE VIEW

JOB NO. 14416

SHEET 7 OF 12



PROPERTY OF
SKEETER BRUSH TRUCKS

NOTE: DETAILS AND DIMENSIONS SHOWN ARE APPROXIMATE
 AND ARE SUBJECT TO MINOR DEVIATIONS AS MAY
 OCCUR OR BE NECESSARY IN CONSTRUCTION
 MINOR DETAILS NOT SHOWN

PREPARED FOR:

Skeeter Ford Corporate

DRAWN BY: MARK E.

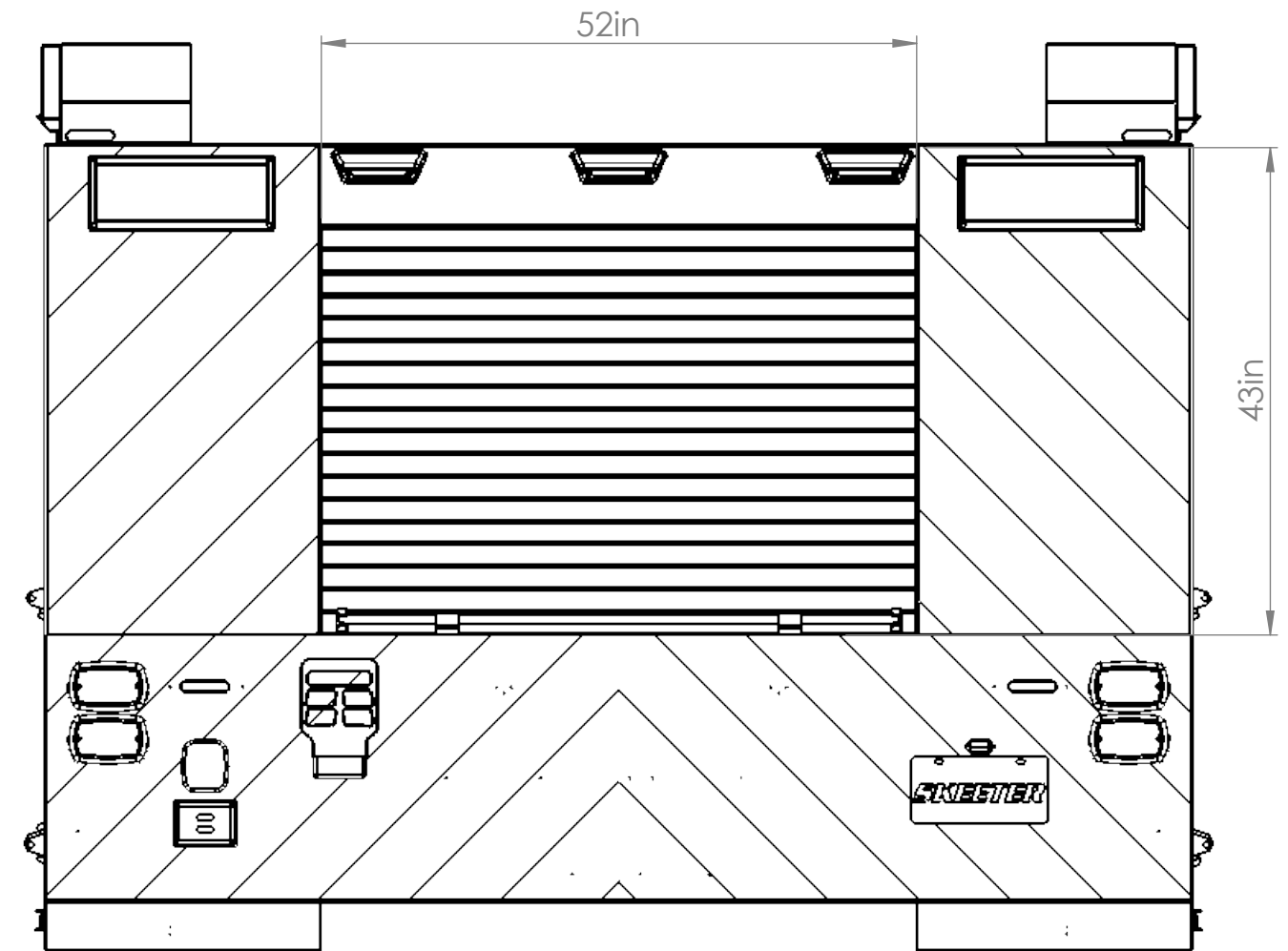
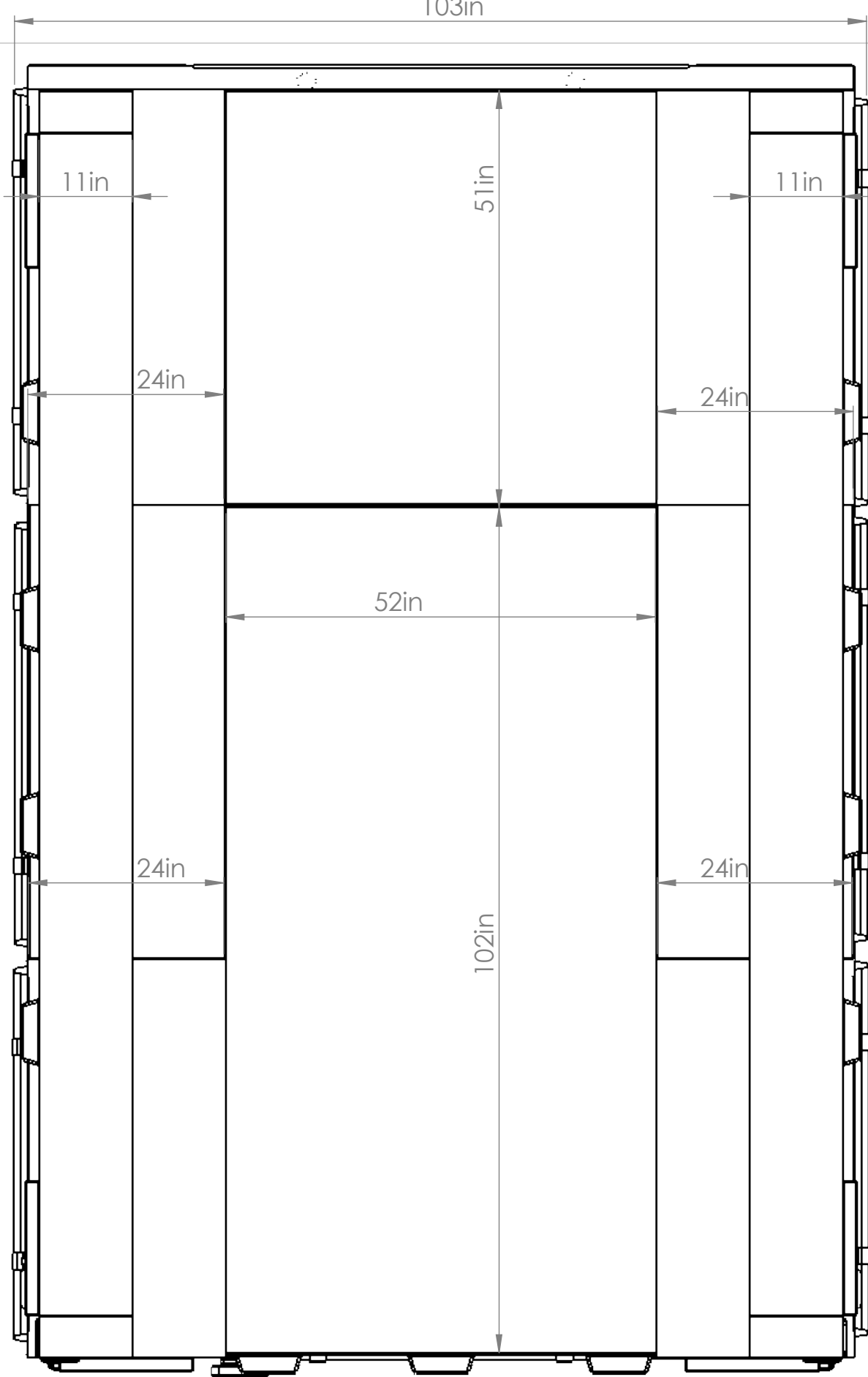
PRINT DATE: 2/13/2019

TITLE:

BED PASSENGERS SIDE VIEW

JOB NO. 14416

SHEET 8 OF 12



PROPERTY OF
SKEETER BRUSH TRUCKS

NOTE: DETAILS AND DIMENSIONS SHOWN ARE APPROXIMATE
AND ARE SUBJECT TO MINOR DEVIATIONS AS MAY
OCCUR OR BE NECESSARY IN CONSTRUCTION
MINOR DETAILS NOT SHOWN

PREPARED FOR:

Skeeter Ford Corporate

DRAWN BY: MARK E.

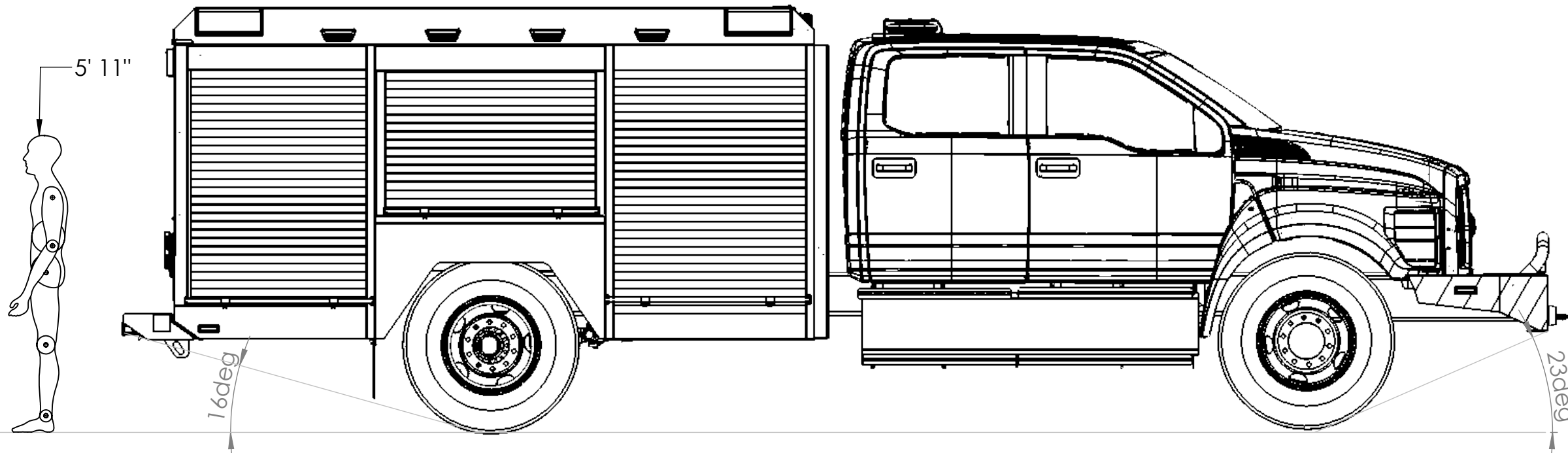
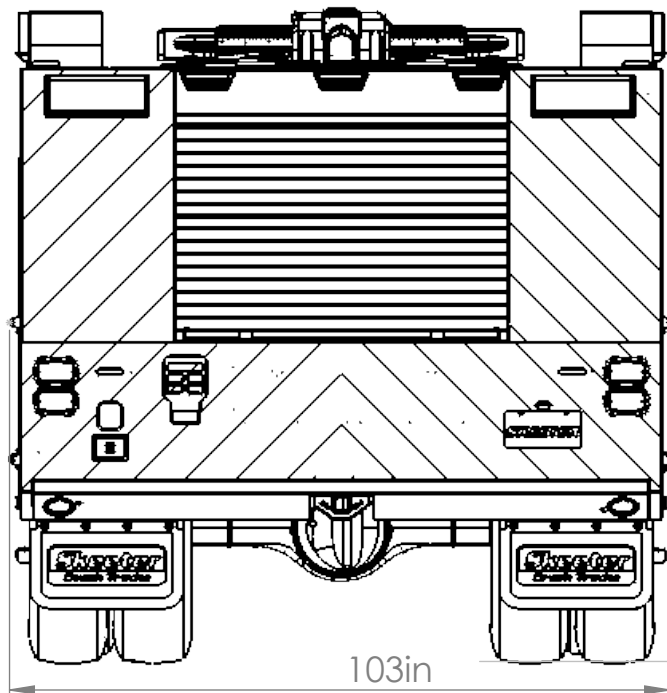
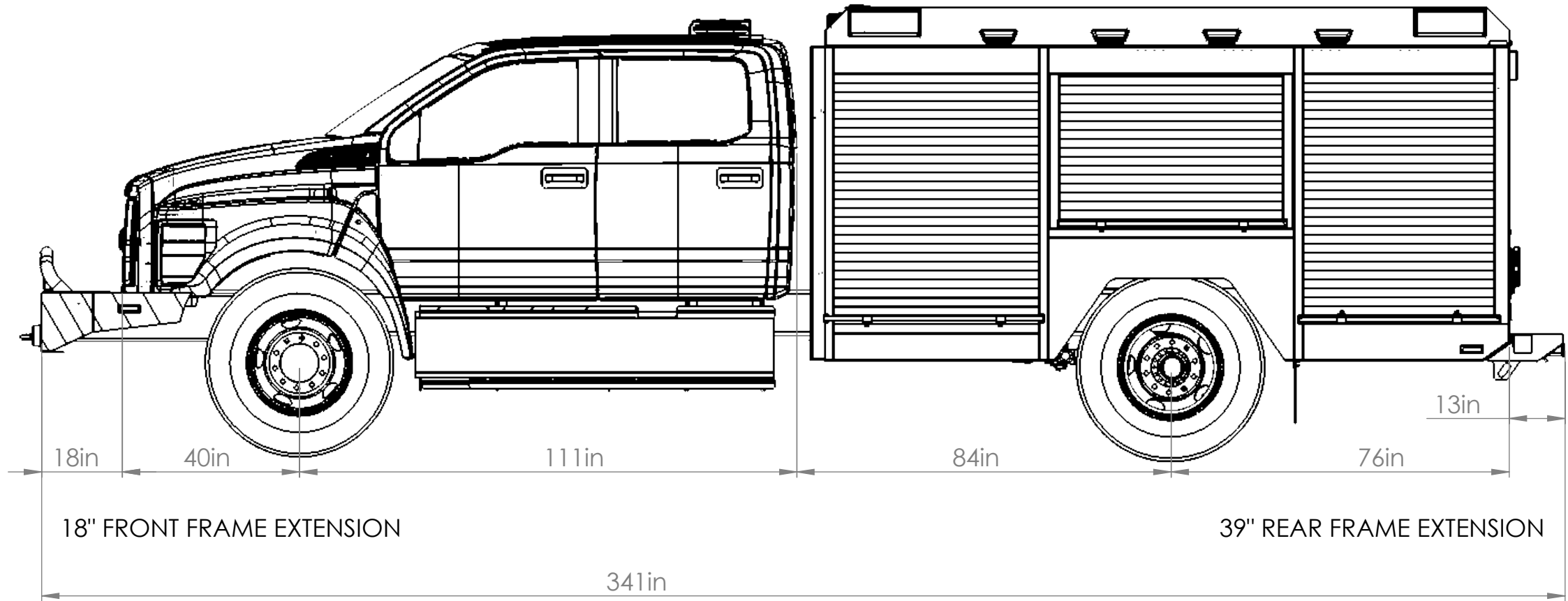
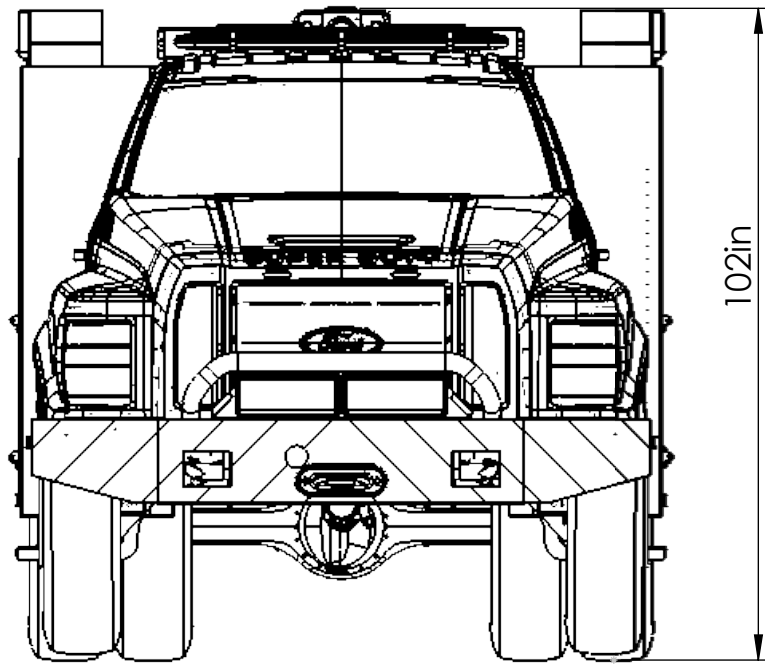
PRINT DATE: 2/13/2019

TITLE:

BED TOP & REAR VIEW

JOB NO. 14416

SHEET 9 OF 12



PROPERTY OF
SKEETER BRUSH TRUCKS

NOTE: DETAILS AND DIMENSIONS SHOWN ARE APPROXIMATE AND ARE SUBJECT TO MINOR DEVIATIONS AS MAY OCCUR OR BE NECESSARY IN CONSTRUCTION
MINOR DETAILS NOT SHOWN

PREPARED FOR:

Skeeter Ford Corporate

DRAWN BY: MARK E.

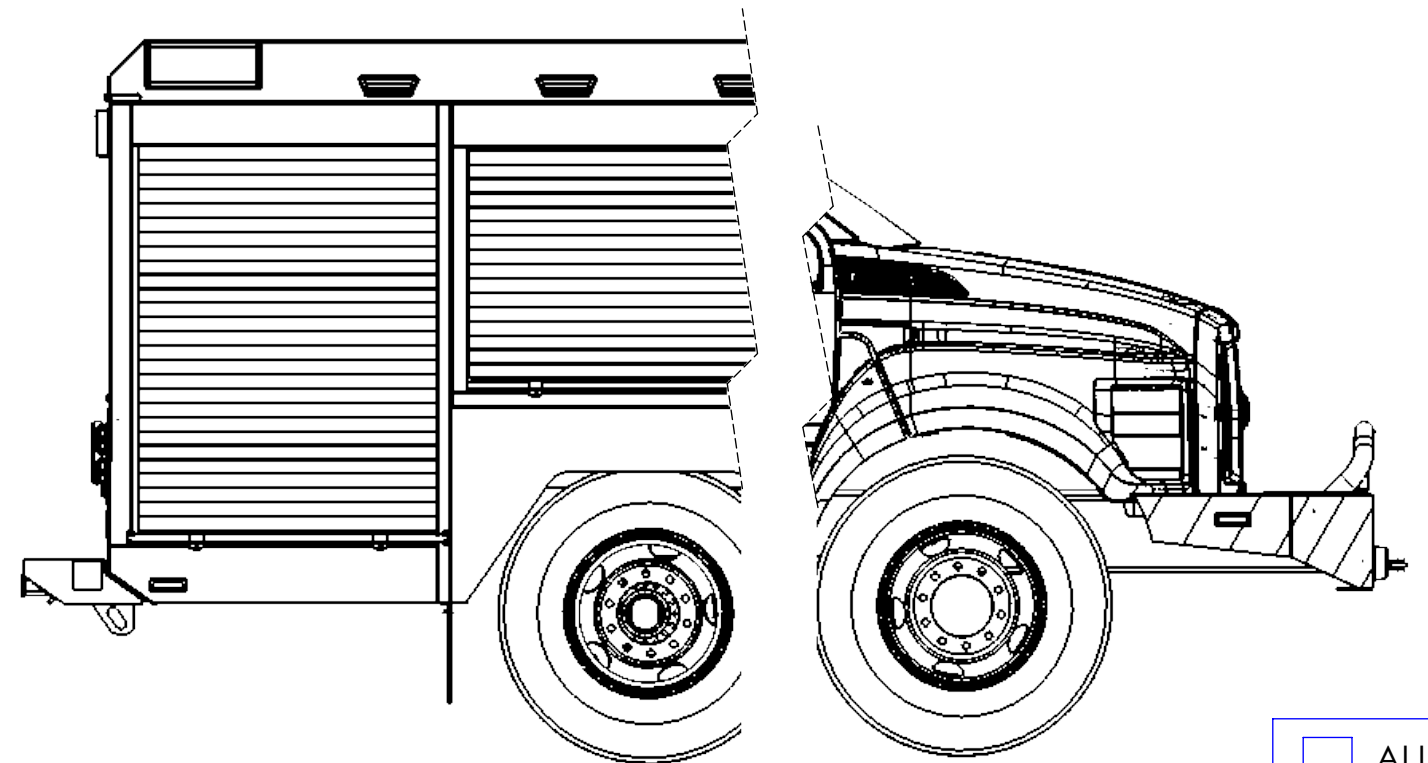
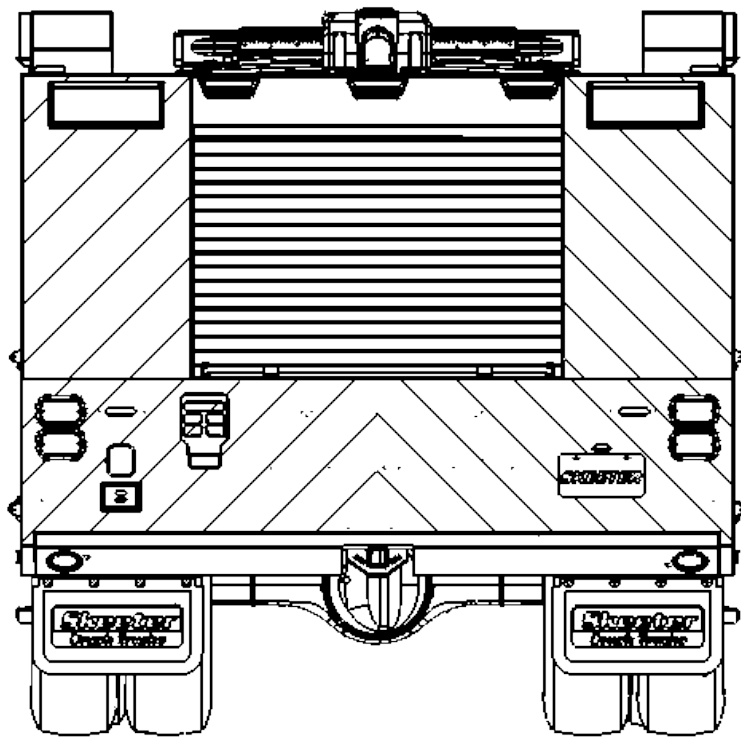
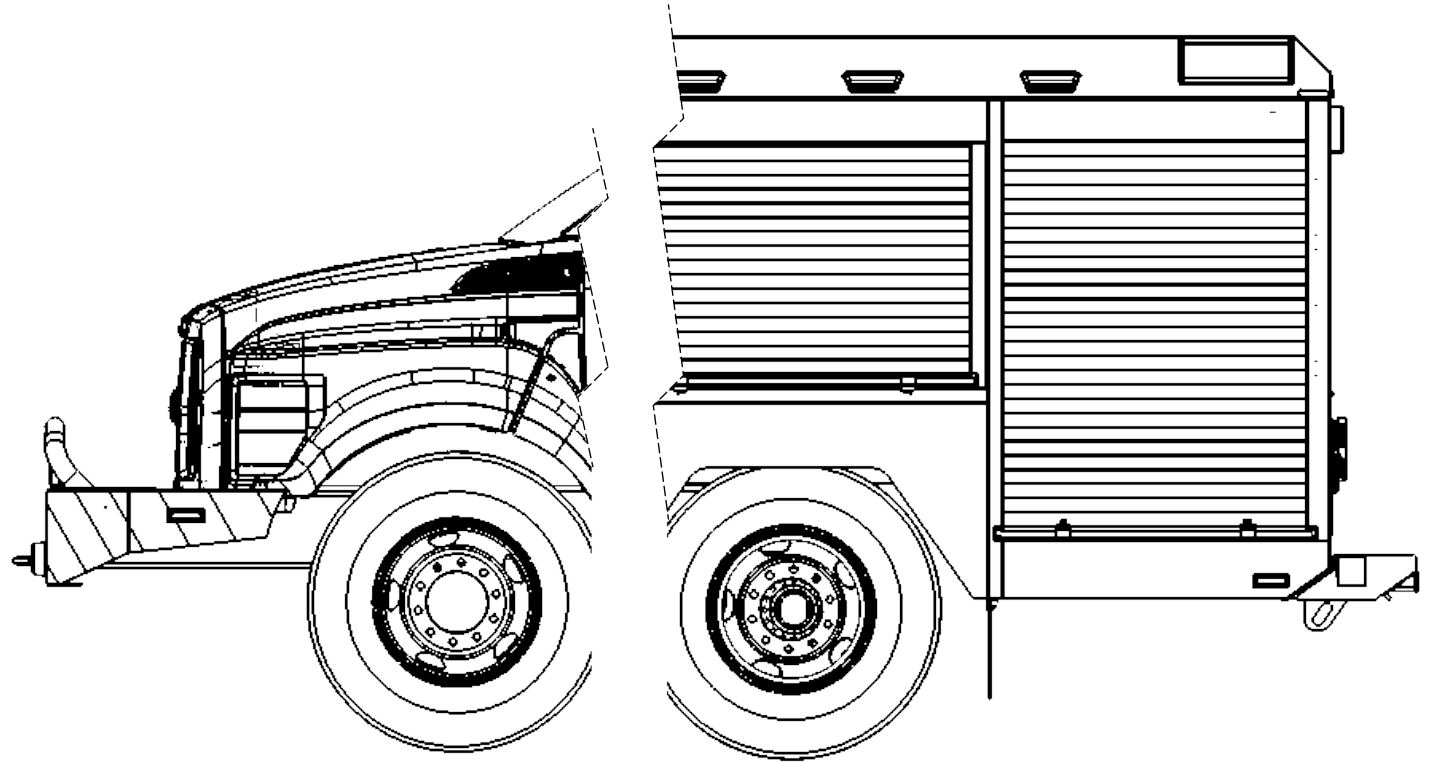
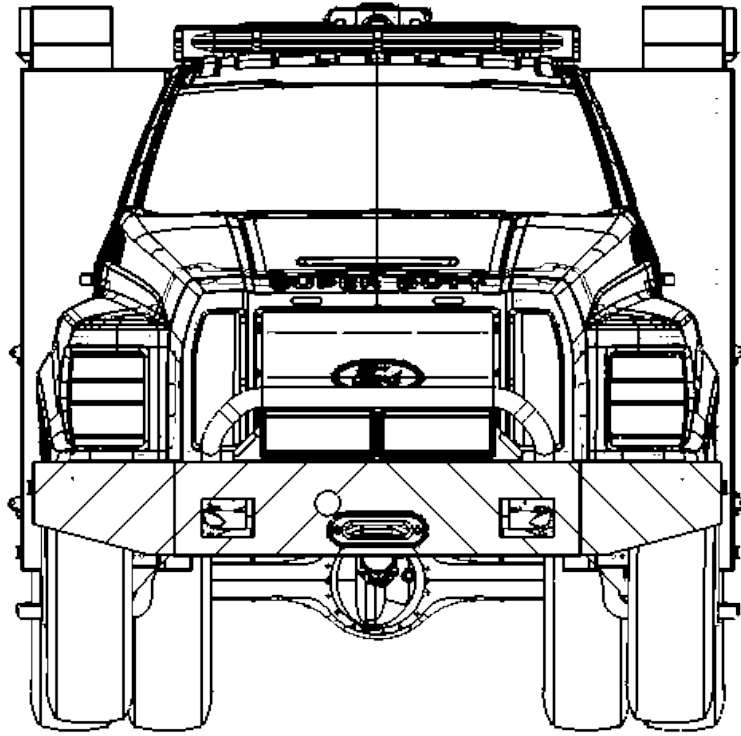
PRINT DATE: 2/13/2019

TITLE:

OVERALL DIMENSIONS

JOB NO. 14416

SHEET 10 OF 12



PROPERTY OF
SKEETER BRUSH TRUCKS

NOTE: DETAILS AND DIMENSIONS SHOWN ARE APPROXIMATE
 AND ARE SUBJECT TO MINOR DEVIATIONS AS MAY
 OCCUR OR BE NECESSARY IN CONSTRUCTION
 MINOR DETAILS NOT SHOWN

PREPARED FOR:

Skeeter Ford Corporate

DRAWN BY: MARK E.

PRINT DATE: 2/13/2019

TITLE:

WARNING LIGHT LAYOUT

ALL RED

ALL BLUE

JOB NO. 14416

SHEET 11 OF 12

PROPERTY OF
SKEETER BRUSH TRUCKS

NOTE: DETAILS AND DIMENSIONS SHOWN ARE APPROXIMATE
AND ARE SUBJECT TO MINOR DEVIATIONS AS MAY
OCCUR OR BE NECESSARY IN CONSTRUCTION

PREPARED FOR:

Skeeter Ford Corporate

DRAWN BY: MARK E.

PRINT DATE: 2/13/2019

TITLE:

ENGINEERING CHANGES/NOTES

JOB NO. 14416

SHEET 12 OF 12

MINOR DETAILS NOT SHOWN